



MANUAL – INSTALLATION

Hospital Grade Ceiling System

HGC Series

v100 – Issue Date: 11/15/17

© 2017 Price Industries Limited. All rights reserved.

PRICE[®]

HOSPITAL GRADE CEILING SYSTEM

TABLE OF CONTENTS

Product Overview

Introduction.....	1
Ceiling Tee Profiles	1

Installation and Mounting Instructions

HGC	2
-----------	---

SUPPORT ▼

Having difficulty installing this product?
Price is here to help.

Application Support

204.654.5613 option 5

criticalenvironments@priceindustries.com

priceindustries.com/literature

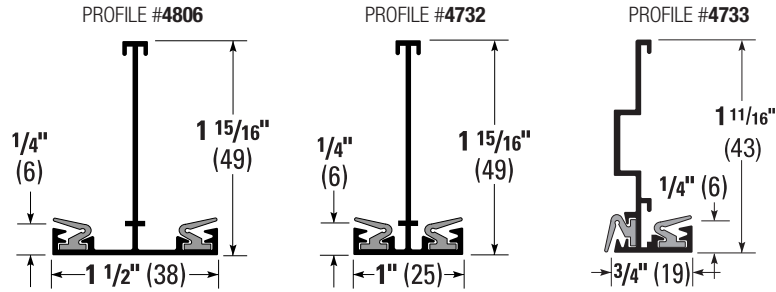
HOSPITAL GRADE CEILING SYSTEM

PRODUCT OVERVIEW

Introduction

HGC – Cleanroom Ceiling – applicable in hospital, laboratory, and other cleanroom areas where a gasketed system is required. A standard B12 finish is used to withstand strong cleaning solutions typically used in these areas. The aluminum T-bar, vinyl gasket, and hold down clips provide the tight air seal required in cleanroom ceilings.

CEILING TEE PROFILES ▼



HOSPITAL GRADE CEILING SYSTEM

INSTALLATION & MOUNTING INSTRUCTIONS

The following installation description is a typical installation only. For more detailed installation information we refer you to ASTM C636 Standard Practice for Installation of Metal Ceiling Suspension Systems for Acoustical Tile and Lay-in Panels.

STEP 1

The HGC tees are supplied with the installed gasket approximately $\frac{3}{8}$ " longer than the tee face (Figure 1). Trim the gasket so that the gasket extends approximately $\frac{1}{32}$ " from the face of the tee (Figure 2). The gasket should be cut at an angle as shown in the following drawing (Figure 3).

STEP 2

The HGC can be installed at any height, as long a minimum 3" clearance is maintained below the lowest air duct, pipe or beam. This clearance is required for the installation and removal of ceiling panels. Measure and mark the ceiling height at each corner of the room.

STEP 3

Mark a perimeter chalk line around the entire room at the height where the top of the wall mold will be. The distance the chalk line will be above the required ceiling height will vary depending on the wall mold used.

STEP 4

Using a carpenter's level, confirm that the chalk line is level all around the perimeter of the room. Measuring up from the floor or down from the roof is not recommended as either may not be level.

STEP 5

The wall mold is supplied in 12 ft. lengths with straight ends. Measure each section of wall and cut the wall mold to the required lengths. Where a section of wall is longer than 12 ft., butt two (2) sections of wall mold together using a level to ensure elevation is correct.

STEP 6

With the top of the wall mold along the chalk line, screw the wall mold around the entire room. Screws should be spaced approximately 2 feet on center, or closer. Alternatively, the wall mold can be nailed in place.

FIGURE 1 – SIDE VIEW ▼

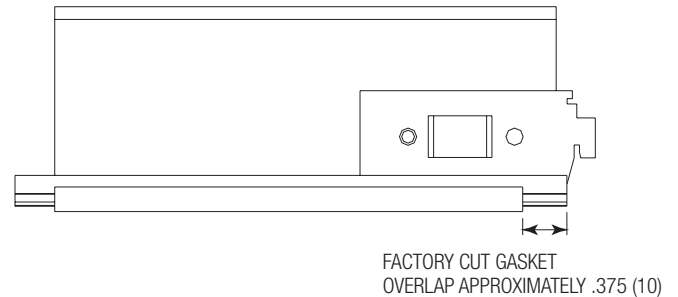


FIGURE 2 – FACE VIEW ▼

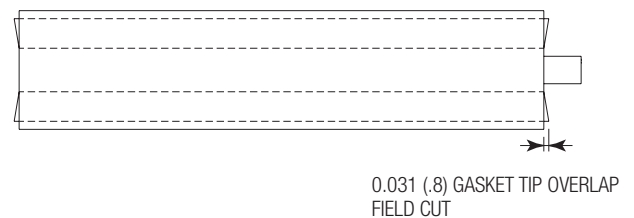


FIGURE 3 ▼

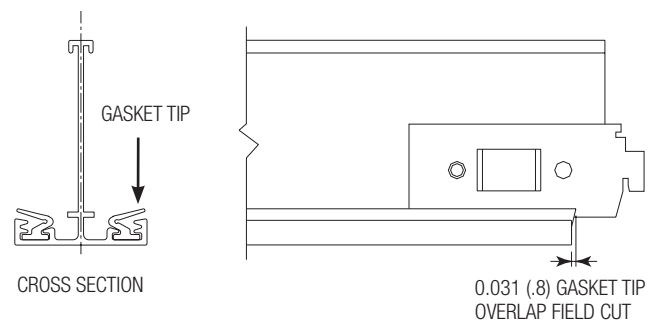
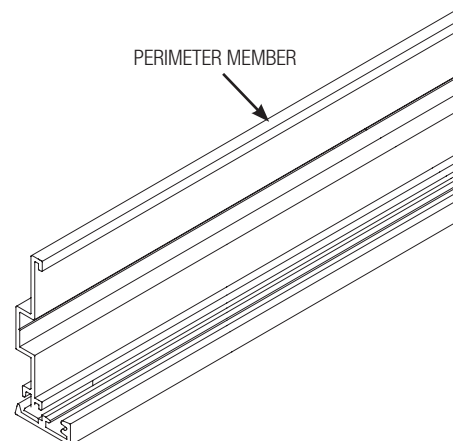


FIGURE 4 ▼



HOSPITAL GRADE CEILING SYSTEM

INSTALLATION & MOUNTING INSTRUCTIONS

STEP 7

At the corners of the room, miter the ends of the wall mold (45°) and fit them snugly together. Straight angles (90°) can be butted together in corners as an alternate.

STEP 8

Stretch a string across the room at the ceiling height in the location where each main tee is to run.

STEP 9

Install eye screws at 4 ft. intervals along each of the main tee string lines, then attach the hanger wires. The hanger wires should be long enough to extend approximately 6" below the string line. Twist the screw eyes tightly into the substrate.

STEP 10

Bend each hanger wire at a 90° angle approximately 1" above the string line.

STEP 11

Pull each hanger wire through the round hanger hole on each main tee. Confirm the main tees are level by checking the string line. After the tees are level, bend the hanger wire up and twist the ends around three (3) to four (4) full turns to secure it. If the main tee hanger hole is not directly beneath the hanger wire, lengthen the hanger wire as required to reach the closest hanger hole.

STEP 12

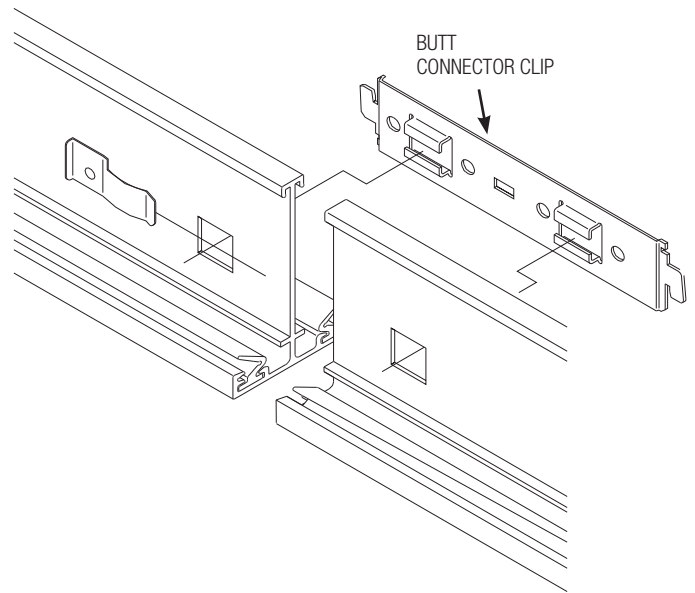
Where the room length exceeds the single piece length for the main tees, two (2) or more tees must be butted together. Line up the butt ends of the two (2) adjacent tees. Inset the raised portion of the butt connection clip into each of the square openings on each main tee and slide the locking clips into place on each tee (Figure 5).

STEP 13

Install the cross tees. The cross tees are positioned according to the factory punched regimentation made in each cross tee. Cross tees are supplied with the tee bar mounting clips already installed on each end. Insert the end of the tee bar mounting clip into one of the two (2) regimented slots of the main tee and press down. The tee will click into place flush with the main tee. Repeat for the opposite end of the cross tee.

NOTE: It is important to remember, if you insert the first end of the cross tee mounting clip into the left regimentation, when facing the main tee, the tee bar mounting clip on the opposite end of the cross tee should also be inserted into the left regimentation when facing that main tee.

FIGURE 5 ▼



HOSPITAL GRADE CEILING SYSTEM

INSTALLATION & MOUNTING INSTRUCTIONS

STEP 14

Remove the tee bar mounting clips from the end of all cross tees which intersect the wall mold. To remove the mounting clip, press down and back towards the center of the tee, on the raised end of the brown locking clip to push it out of the mounting clip. It is recommended to push on the locking tab with the flat of a screw driver or some similar tool. With the locking tab removed, gently push on the mounting clip to force it out of the square hole in the tee. The mounting tab and locking clip can be disposed of, or set aside for future use (Figure 6).

STEP 15

Secure the main tees in place using the 90° angle brackets supplied with the ceiling system. Using one (1) sheet metal screw in each face, connect the bracket to the wall mold and to the main tee (Figure 6).

STEP 16

Install the ceiling panels. Angle the panel to pass it through the opening then lower it so that it rests evenly on all four (4) tees.

- Each panel is held in place using a hold down clip. Insert the short end of the clip between the panel and the tee, compress the clip with your fingers and insert the longer end of the clip under the HGC tee cap, slowly release the clip. Hold down clips should be installed on all sides of the panel. On each side, the first clip should be installed no more than 12" from the corner of the panel, the next clip should be no more than 24" from the first clip. Clips must be installed on main tees, cross tees and wall mold. The last ceiling tile installed should be the access type. If the access panel is not ordered it is recommended that at least one tile be left unclipped to allow access to the ceiling space. To compress the tee gasket, some weight, approx. 2 lbs., must be added to the unclipped panel. A piece of 5/8" drywall cut to the size of the inside of the panel has been shown to work.

STEP 17

Refer to specific manufacturer's recommended installation procedures for all lights, diffusers and other ceiling mounted equipment.

FIGURE 6 ▼

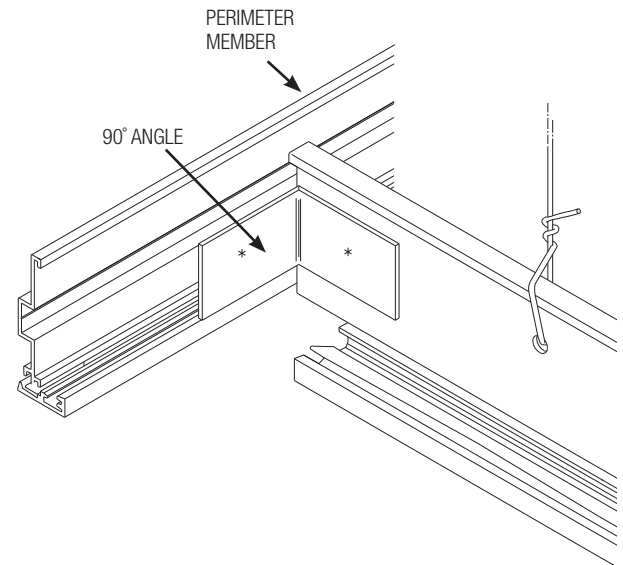
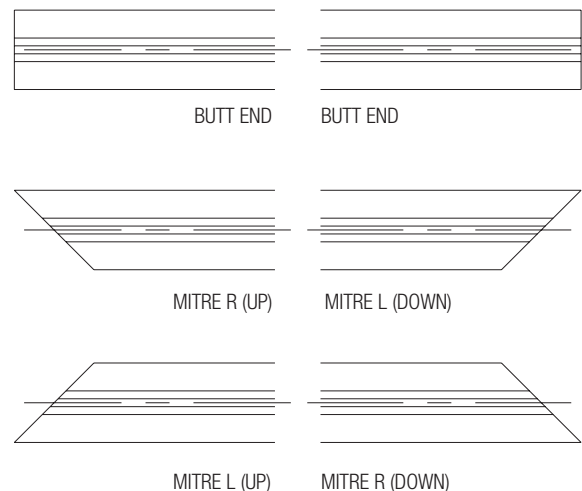


FIGURE 7 ▼



This document contains the most current product information as of this printing.
For the most up-to-date product information, please go to priceindustries.com

© 2017 Price Industries Limited. All rights reserved.

PRICE[®]